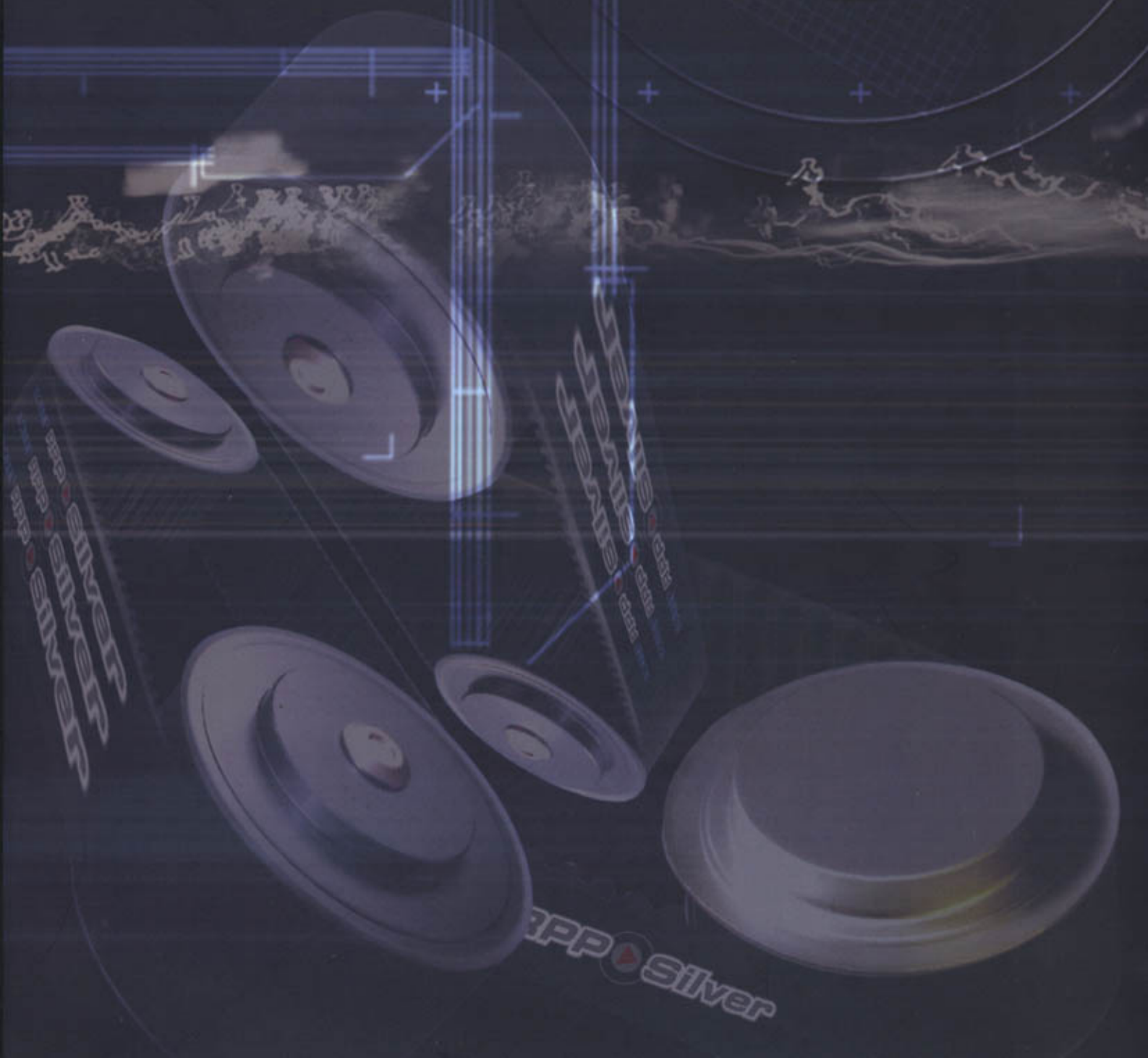


MEGARUBBER



ISORAN® RPP Silver

SYMBOL OF POWER



RPP Silver

The new **ISORAN RPP SILVER** timing belt is constructed with the highest quality materials. The bonded strength of all components guarantees superior torque capacity. The new materials join forces to achieve the highest standard of quality and performance in the industry.

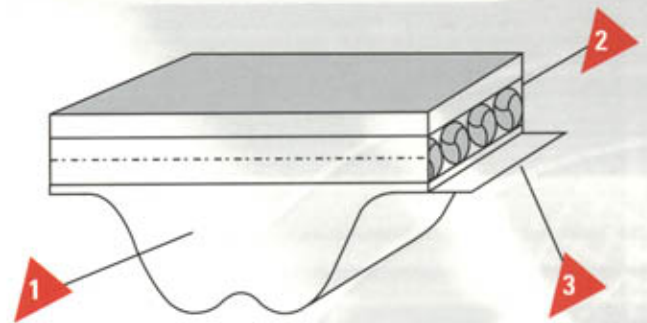
NEW ISORAN RPP SILVER STRUCTURE

1 BELT BODY

It's a special compound that increases resistance to tooth shearing even in presence of rapidly varying load.. This compound guarantees an exceptional level of resistance to flex fatigue, heat and ozone; considerable resistance to mineral oil and prevents the appearance of cracks also with small pulley diameters.

2 TENSION MEMBER.

The fibreglass cord assures breaking load at maximum levels with extremely reduced elongation coefficients. These characteristics can eliminate any kind of re-tensioning procedure, providing a real maintenance-free operation and guarantee a perfect tooth meshing, reducing abrasion, vibrations and noise.



3 TOOTH FACING FABRIC

Hard wearing nylon fabric is bonded to the tooth surface to improve torque carrying capacity. The fabric surface is impregnated with a special graphite, providing a self-lubrication feature which increases the efficiency of the drive, while providing:

- Exceptional resistance to abrasion and tooth shear due to the low coefficient of friction.
- Increased drive efficiency.
- Increased belt and pulley life.

FEATURES NEW ISORAN RPP SILVER

- ▶ Increases load carrying capacity by up to 10% compared to previous RPP Plus.
- ▶ Upgrade of the existing transmission without changing the pulleys.
- ▶ Perfect interchangeability with parabolic and deep pulley profile.
- ▶ Antistatic Properties conforming to the BS 2050.
- ▶ Higher tooth jump resistance.
- ▶ Increased resistance to tooth shear.
- ▶ Higher torque transmission.
- ▶ Longer life than standard drives.
- ▶ Compact drives.
- ▶ Reduced noise.

AVAILABLE LENGTHS

ISORAN RPP SILVER 8

PITCH AND LENGTH DESIGNATION	PITCH LENGTH [mm]	NUMBER OF TEETH
288-SLV8	288	36
320-SLV8	320	40
352-SLV8	352	44
360-SLV8	360	45
384-SLV8	384	48
408-SLV8	408	51
456-SLV8	456	57
480-SLV8	480	60
536-SLV8	536	67
544-SLV8	544	68
560-SLV8	560	70
600-SLV8	600	75
608-SLV8	608	76
632-SLV8	632	79
640-SLV8	640	80
680-SLV8	680	85
720-SLV8	720	90
800-SLV8	800	100
840-SLV8	840	105
880-SLV8	880	110
896-SLV8	896	112
920-SLV8	920	115
960-SLV8	960	120
1000-SLV8	1000	125
1040-SLV8	1040	130
1080-SLV8	1080	135
1120-SLV8	1120	140
1200-SLV8	1200	150
1224-SLV8	1224	153
1280-SLV8	1280	160
1352-SLV8	1352	169
1440-SLV8	1440	180
1464-SLV8	1464	183
1600-SLV8	1600	200
1760-SLV8	1760	220
1800-SLV8	1800	225
2000-SLV8	2000	250
2200-SLV8	2200	275
2400-SLV8	2400	300
2520-SLV8	2520	315
2600-SLV8	2600	325
2800-SLV8	2800	350
3048-SLV8	3048	381
3280-SLV8	3280	410
3600-SLV8	3600	450
4400-SLV8	4400	550

ISORAN RPP SILVER 14

PITCH AND LENGTH DESIGNATION	PITCH LENGTH [mm]	NUMBER OF TEETH
966-SLV14	966	69
994-SLV14	994	71
1092-SLV14	1092	78
1106-SLV14	1106	79
1190-SLV14	1190	85
1260-SLV14	1260	90
1288-SLV14	1288	92
1344-SLV14	1344	96
1400-SLV14	1400	100
1442-SLV14	1442	103
1568-SLV14	1568	112
1610-SLV14	1610	115
1764-SLV14	1764	126
1778-SLV14	1778	127
1848-SLV14	1848	132
1890-SLV14	1890	135
1904-SLV14	1904	136
1960-SLV14	1960	140
2100-SLV14	2100	150
2240-SLV14	2240	160
2310-SLV14	2310	165
2380-SLV14	2380	170
2450-SLV14	2450	175
2590-SLV14	2590	185
2660-SLV14	2660	190
2800-SLV14	2800	200
3150-SLV14	3150	225
3360-SLV14	3360	240
3500-SLV14	3500	250
3850-SLV14	3850	275
3920-SLV14	3920	280
4326-SLV14	4326	309
4578-SLV14	4578	327
4956-SLV14	4956	354



NOTE: ON REQUEST, FOR SPECIAL APPLICATION THE NEW ISORAN RPP SILVER IS AVAILABLE EVEN IN 5 MM PITCH. FOR ANY REQUESTS PLEASE CONTACT OUR TECHNICAL DEPARTMENT.