



# PULLEYS/ CLAMPING PLATES

Imperial (Trapezoidal) HG, HTD, Metric, RPP

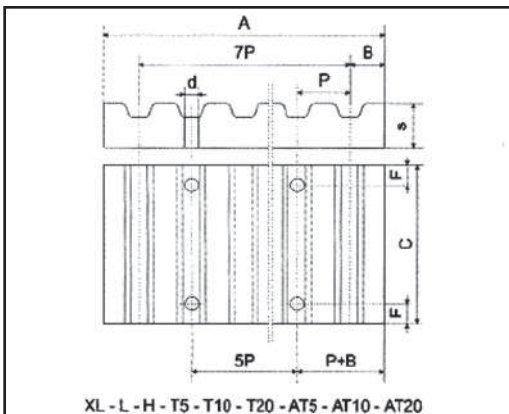
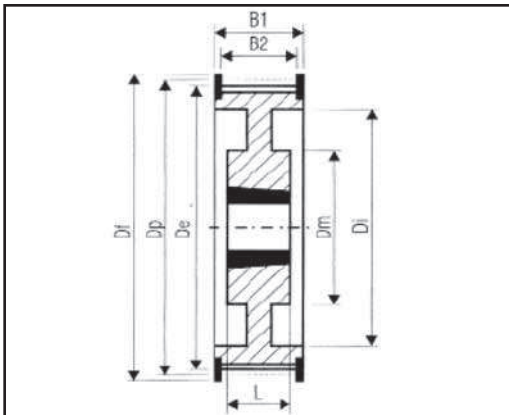
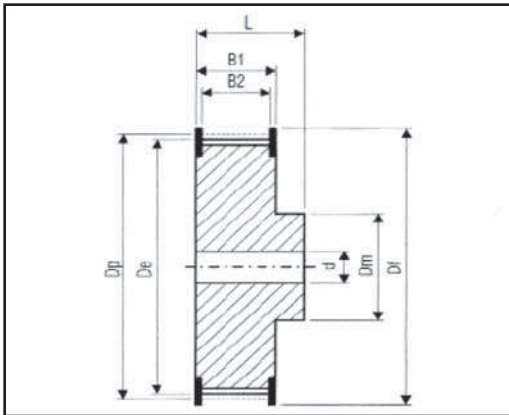
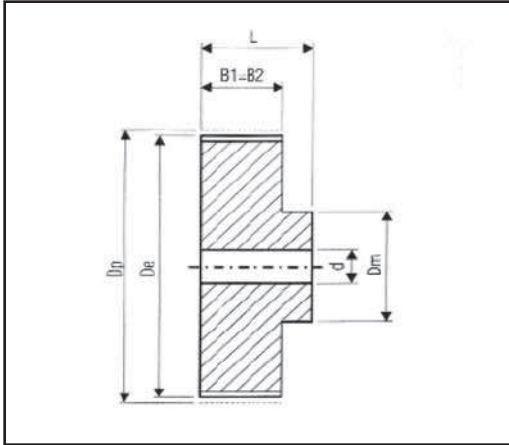


# PULLEYS/ CLAMPING PLATES

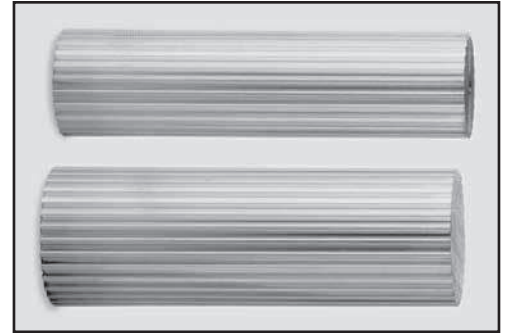


## Imperial (Trapezoidal) HG, HTD, Metric, RPP

**Jason** can supply complete drives and provide either standard pulleys, made in accordance to ISO spec, or customer specific requirements. **Fixing plates** are used to fasten the ends of open belting. Upon request, plates can be delivered **with or without fixing holes**. Plates are delivered in aluminum alloy.



XL - L - H - T5 - T10 - T20 - AT5 - AT10 - AT20



### FIXING PLATES FOR IMPERIAL (TRAPEZOIDAL) BELTS (mm)

TYPE	F	d	B	A	S	C Belt Width (inch)								
						025	037	050	075	100	150	200	300	400
XL	6.0	5.5	3.5	42.5	8.0	25.5	28.5	32.0	38.0	48.0	-	-	-	-
L	8.0	9.0	5.0	76.6	15.0	-	36.0	39.0	45.0	51.5	64.0	77.0	-	-
H	10.0	11.0	9.0	106.9	22.0	-	-	45.0	51.0	57.5	70.0	83.0	108.0	134.0

### FIXING PLATES FOR METRIC BELTS (mm)

TYPE	F	d	B	A	S	C Belt Width (inch)							
						6	10	16	25	32	50	75	100
T5-AT5	6.0	5.5	3.2	41.8	8.0	25.0	29.0	35.0	44.0	51.0	61.0	-	-
T10-AT10	8.0	9.0	5.0	80.0	15.0	-	-	41.0	50.0	57.0	75.0	100.0	125.0
T20-AT20	10.0	11.0	10.0	160.0	20.0	-	-	-	56.0	65.0	81.0	106.0	132.0

### FIXING PLATES FOR HTB® BELTS (mm)

TYPE	F	d	B	A	S	C Belt Width (inch)									
						10	15	20	25	30	40	50	55	85	100
5m	6.0	5.5	3.2	41.8	8.0	28.0	34.0	-	44.0	-	-	61.0	-	-	-
8m	8.0	9.0	5.0	66.0	15.0	35.0	40.0	45.0	-	55.0	-	75.0	-	110.0	125.0
14mm	10.0	11.0	9.0	116.0	22.0	-	-	-	56.0	-	71.0	-	86.0	116.0	132.0

**Imperial (Trapezoidal)** MXL - XL - L - H - XH - XXH - HG

**HTD** 3M - 5M - 8M - 14M

**METRIC** T2.5 - T5 - T10 - T20 - AT3 - AT5  
AT10 - AT20 - TG5 - TG10 - TG20  
ATG10

**RPP®** RPP5 - RPP8 - RPP14

